

HAND PUMPS

BETEX PB / HC SERIES, STEEL HAND PUMPS, HEAVY DUTY, 700 BAR



- Our 2-speed hand pumps are characterized by their rugged construction and easy-operation handles.
- The rugged welded construction effectively prevents collision damage and deformation.
- The professional choice for a wide range of industrial applications.
- Automatic overload-relief valve (700 bar) protects components in hydraulic systems and ensures safe operation.
- External control and locking of maximum pressure.
- Carrying handles for easy portability.

Also available as **HAND PUMP SET**, including:

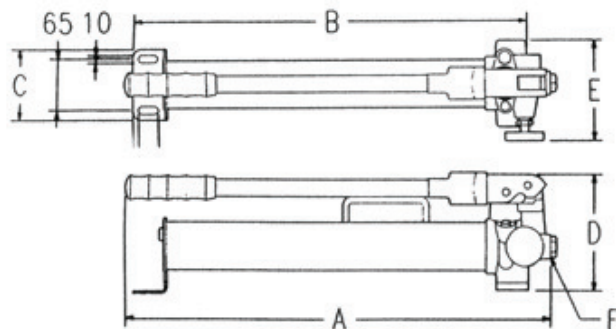
- T-adapter
- gauge
- hose 1.5 mtr
- high-flow quality couplers
- steel storage case
- except HC 2500, this is not available as a set



Combi-set PB 700

PB/HC series

Hand pump		Hand pump set	
Type	Art. no.	Type	Art. no.
PB 350	7262350	PB 350	7262351
PB 600	7262600	PB 600	7262601
PB 700	7262700	PB 700	7262701
HC 1500	72621500	HC 1500	72621501
HC 2000	72622000	HC 2000	72622001
HC 2500	72622500		



TIP! Use in combination with accessories page 108 -112

Type	Pressure rating (bar)		Usable oil capacity cm ³	Oil volume per stroke cm ³		A mm	B mm	C mm	D mm	E mm	Oil port thread F	Weight Kg
	1st stage	2nd stage		1st stage	2nd stage							
PB 350	13.8	700	350	13.0	2.8	335	303	90	146	128	3/8"-NPT	5.5
PB 600	13.8	700	600	13.0	2.8	543	480	90	146	142	3/8"-NPT	7.3
PB 700	13.8	700	700	13.0	2.8	632	541	90	146	128	3/8"-NPT	7.6
HC 1500	13.8	700	1500	13.0	2.8	633	551	106	200	142	3/8"-NPT	11.2
HC 2000	13.8	700	2000	13.0	2.8	580	523	140	189	148	3/8"-NPT	11.5
HC 2500	13.8	700	2500	13.0	2.8	713	632	106	200	142	3/8"-NPT	12

HAND PUMPS

BETEX AHP SERIES, LIGHTWEIGHT ALUMINIUM HAND PUMPS, 700 BAR



- Our 2-speed hand pumps are characterized by their rugged construction and easy-operation handles.
- Aluminium alloy construction and handy release knobs with locking mechanism are perfect for industrial applications and daily operations.
- The lightweight design makes it an easily portable and portability
- Double-acting design on AHP703D is ideal for double-acting cylinders, without the need for extra control valve and adaptors.
- Automatic overload-relief valve (700 bar) protects components in hydraulic systems and ensures safe operation.

Also available as **HAND PUMP SET**, including:

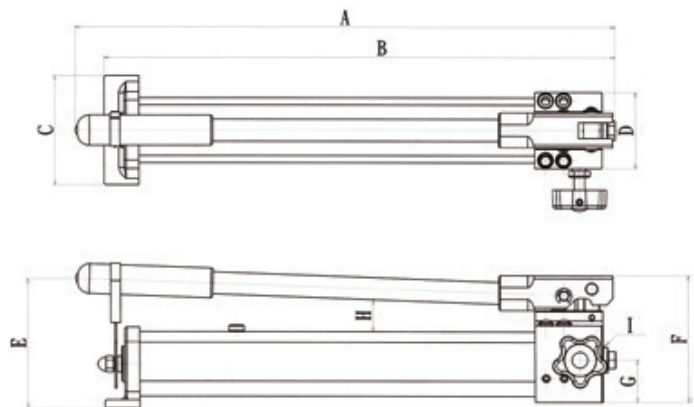
- T-adaptor
- gauge
- hose 1.5 mtr
- couplings
- steel storage case



Combi-set AHP 702

AHP series

Hand pump		Hand pump set	
Type	Art. no.	Type	Art. no.
AHP 701	7265500	AHP 701	7265501
AHP 702	7265700	AHP 702	7265701
AHP 703	7265750	AHP 703	7265751
AHP 703D	7265760	AHP 703D	7265761



TIP! Use in combination with accessories page 108 -112

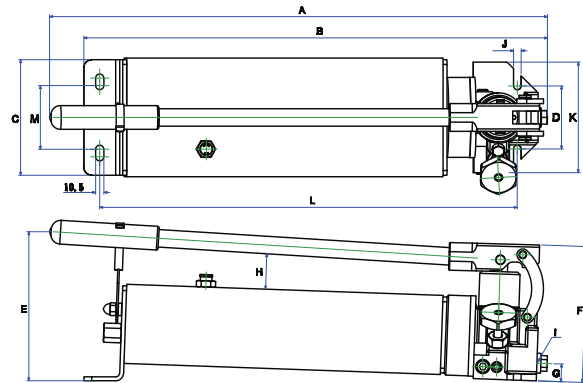
Type	Pressure rating (bar)		Usable oil cap. cm ³	Oil volume per stroke cm ³		A mm	B mm	C mm	D mm	E mm	F mm	G mm	H mm	I	Weight Kg
	1st stage	2nd stage		1st stage	2nd stage										
AHP 701	13.8	700	350	12.9	1	391	361	110	77	140	127	42.5	37	3/8" -NPT	2.3
AHP 702	13.8	700	1000	12.9	2.3	542	513	110	77	130	127	42.5	-	3/8" -NPT	3.5
AHP 703	13.8	700	2000	12.9	2.3	623	556	150	102	135	135	50	-	3/8" -NPT	6
AHP 703D	13.8	700	2000	12.9	2.3	623	556	150	102	135	135	24/37	-	3/8" -NPT	7.0

HAND PUMPS

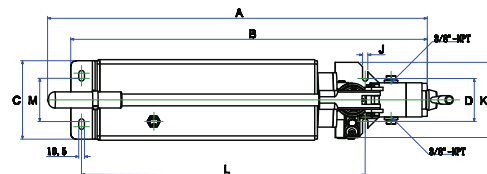
BETEX HP 35 SERIES, STEEL HAND PUMPS, HEAVY-DUTY, 3.5 LITER, 700 BAR



- Max. working pressure: 700 bar.
- Large 3/8" pressure port for maximum flow.
- Low handle effort for easy operation.
- Two-speed pump provides rapid pumping to load the cylinder quickly.
- Our hand pumps are characterized by their rugged steel construction and easy-operation handles.
- The handy release knobs with locking mechanism are perfect for industrial applications and daily operations.
- Specially designed HP 35D for double-acting cylinders without the need for extra control valve and adapters.
- Automatic overload-relief valve (700 bar) protects components in hydraulic systems and ensures safe operation.



HP 35 model



HP 35D model (double-acting)

HP 35 series

Type	Art. no.
HP 35	7200056
HP 35D	7200057

TIP! Use in combination with accessories page 108 -112

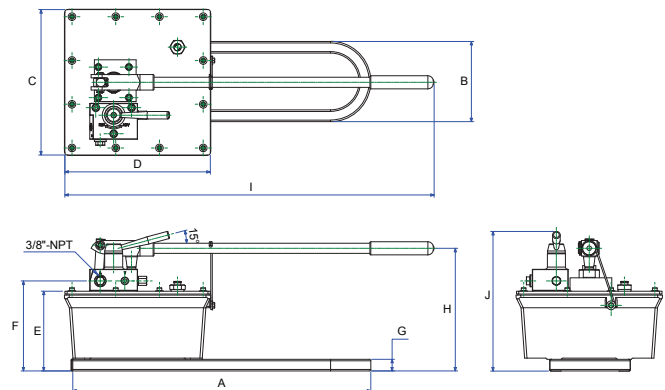
Type	Pressure rating (bar)		Usable oil cap. cm ³	Oil volume per stroke cm ³		A mm	B mm	C mm	D mm	E mm	F mm	G mm	H mm	I	Weight Kg
	1st stage	2nd stage		1st stage	2nd stage										
HP 35	28	700	3500	40	3	629	586	146	79.7	79.7	79.7	22.35	45	3/8" -NPT	16.5
HP 35D	28	700	3500	40	3	706	663	146	79.7	79.7	79.7	36	45	3/8" -NPT	16.8

HAND PUMPS

BETEX HP 80 SERIES, STEEL HAND PUMPS, HEAVY-DUTY, 8 LITER, 700 BAR



- Forged construction made of steel
- Automatic overload-relief valve (700 bar) protects components in hydraulic systems and ensures safe operation.
- New inlet/outlet design features slow deflation function reducing noise, and allows multi-directional operation.
- Two-speed pumps provide rapid pumping to load the cylinder quickly
- Specially designed HP 80D for double-acting cylinders without the need for extra control valve and adapters.



HP 80 series

Type	Art. no.
HP 80	7200063
HP 80D	7200064

TIP! Use in combination with accessories page 108 -112

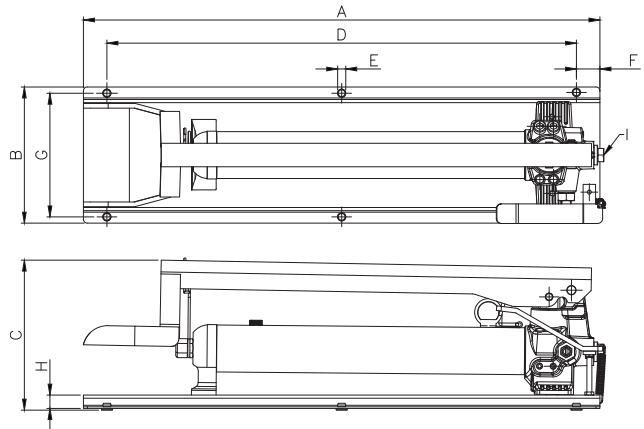
Type	Pressure rating (bar)		Usable oil cap. cm ³	Oil volume per stroke cm ³		A mm	B mm	C mm	D mm	E mm	F mm	G mm	H mm	I mm	J mm	Weight Kg
	1st stage	2nd stage		1st stage	2nd stage											
HP 80	27.5	700	8000	113	4	635	171	310	310	170	192	25	261	787	298	25
HP 80D	27.5	700	8000	113	4	635	171	310	310	170	194	25	261	787	318	25

FOOT PUMPS

BETEX FHB SERIES, STEEL FOOT PUMPS, 700 BAR



- Max. working pressure: 700 bar
- Large 3/8" pressure port for maximum flow.
- Betex® innovative foot pumps are not only attractively designed, but are also durable and stable.
- Foot-operated pump and release pedal, providing accurate control for operating in different conditions
- Available as two-speed operation in forged steel construction.
- Spring-loaded foot pedal is convenient and easy to operate.
- Automatic overload-relief valve (700 bar) protects components in hydraulic systems and ensures safe operation.



FHB series

Type	Art. no.
FHB 350	7200058
FHB 600	7200059
FHB 700	7200060

TIP! Use in combination with accessories page 108 -112

Type	Pressure rating (bar)		Usable oil cap. cm ³	Oil volume per stroke cm ³		A mm	B mm	C mm	D mm	E ø mm	F mm	G mm	H mm	I	Weight Kg
	1st stage	2nd stage		1st stage	2nd stage										
FHB 350	20	700	350	13	2.8	474	174	192	414	10.6	30	158	17	3/8"-NPT	8.5
FHB 600	20	700	600	13	2.8	660	174	192	600	10.6	30	158	17	3/8"-NPT	10.8
FHB 700	20	700	700	13	2.8	708	174	192	648	10.6	30	160	17	3/8"-NPT	11.1

AIR PUMPS

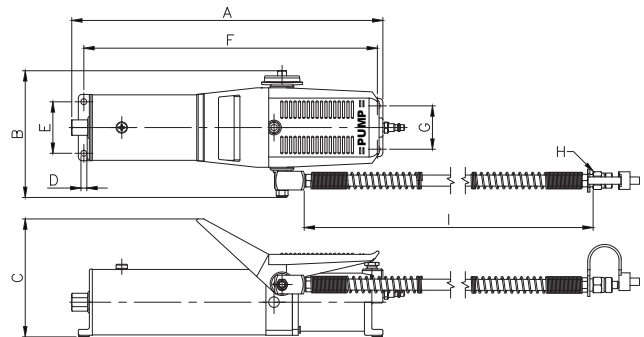
BETEX AP 921 SERIES, AIR-HYDRAULIC FOOT PUMP, 700 BAR



- The air-driven hydraulic pump is designed for use with single-acting cylinders and tools like the Betex cylinder series.
- Rugged construction: most components are made of aluminium alloy and are built for long service life, easy operation and portability
- Automatic overload-relief valve (700 bar) protects components in hydraulic systems and ensures safe operation.
- New inlet/outlet design features slow deflation function reducing noise.

AP series

Type	Art. no.
AP 921	7200061



AP 921

TIP! Use in combination with accessories page 108 -112

Type	Pressure rating max. (bar)	Usable oil cap. cm ³	Oil volume per cm ³ /min 1st stage 2nd stage	Air pressure bar	A mm	B mm	C mm	D ø mm	E mm	F mm	G mm	H	I m	Weight Kg
AP 921	700	750	700 100	7 -10	423	170	160	8	70	399	59	1/4"-NPT	1.5	5.4

AIR PUMPS

BETEX AP 1600/3000 SERIES, AIR-HYDRAULIC FOOT PUMP, 700 BAR



AP 1600S



AP 3000S

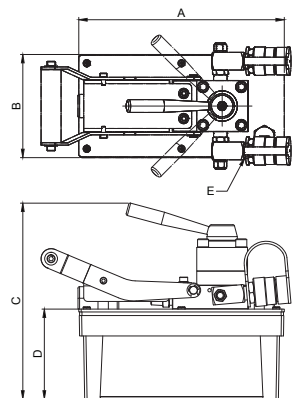


AP 1600D



AP 3000D

- The air-driven hydraulic pump is designed for use with single-acting cylinders and tools like the Betex cylinder serie.
- Rugged construction: most components are made of aluminium alloy and are built for long service life, easy operation and portability
- Automatic overload-relief valve (700 bar) protects components in hydraulic systems and ensures safe operation
- New inlet/outlet design features slow deflation function reducing noise,
- The D models have been specially designed for double-acting cylinders without the need for extra control valve and adapters.
- The AP 1600S is also available as set.



TIP! Use in combination with accessories page 108 -112

AP series

Type	AP 1600S	AP 1600D	AP 3000S	AP 3000D	AP 1600S Set
Art. no.	7200062	72000621	72000622	72000623	72000626

Type	Function	Pressure rating max. (bar)	Usable oil cap. cm ³	Oil volume per cm ³ /min		Air supply (bar)	A mm	B mm	C mm	D mm	E	Weight Kg
				1st stage	2nd stage							
AP 1600S	single	700	1600	1250	193	7 - 10	257	129	205	112.6	3/8"-NPT	7.5
AP 1600D	double	700	1600	1250	193	7 - 10	257	129	245	112.6	3/8"-NPT	8.3
AP 3000S	single	700	3000	1250	193	7 - 10	325	160	205	113.5	3/8"-NPT	10.0
AP 3000D	double	700	3000	1250	193	7 - 10	325	160	246	113.5	3/8"-NPT	10.3

AIR PUMPS

BETEX AP 8000 SERIES, AIR-HYDRAULIC PUMPS, 700 BAR



AP 8000D

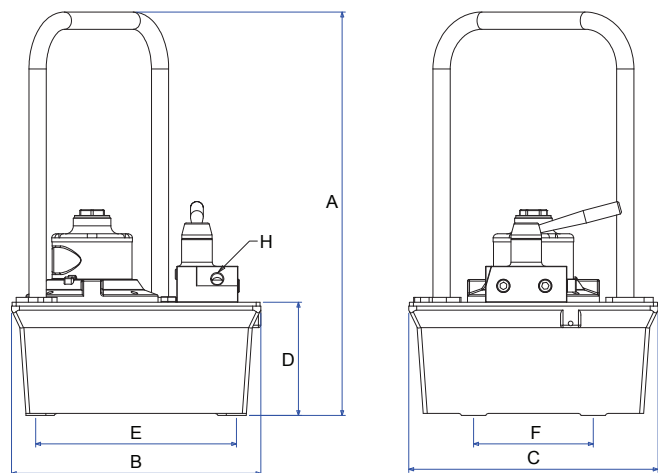


AP 8000S

- Two speed operation for fast cylinder advance
- 8L durable aluminium reservoir
- Air motor capable of starting under full load
- Automatic overload-relief valve (700 bar) protects components in hydraulic systems and ensures safe operation
- Specially designed AP 8000D is for double-acting cylinders without the need for extra control valve and adapters

AP series

Type	Art. no.
AP 8000S	72000624
AP 8000D	72000625

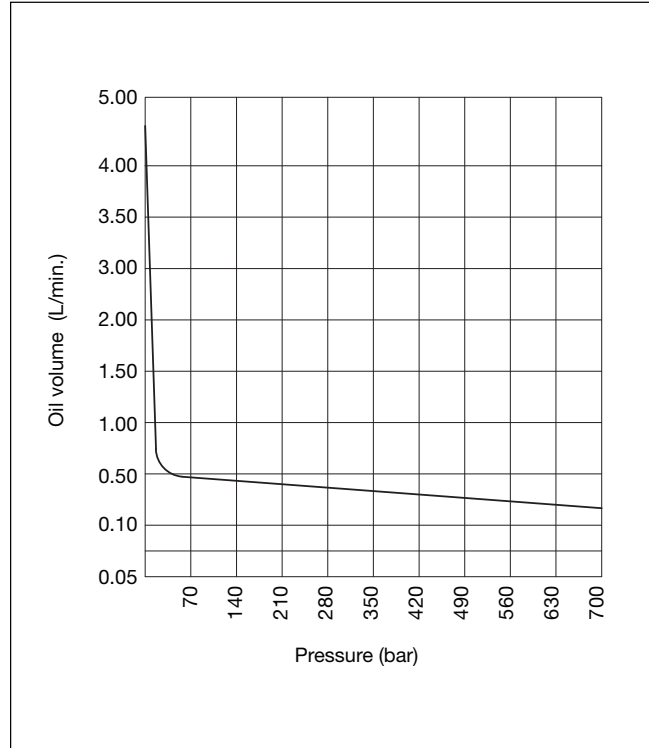


TIP! Use in combination with accessories page 108 -112

Type	Function	Pressure rating max. (bar)	Usable oil cap. cm ³	Oil volume per cm ³ /min	A mm	B mm	C mm	D mm	E mm	F mm	H	Weight Kg	
				1st stage									
AP 8000S	single	700	8000	4700	280	505	312	312	142	251	149	3/8"-NPT	20
AP 8000D	double	700	8000	4700	280	505	312	312	142	251	149	3/8"-NPT	20

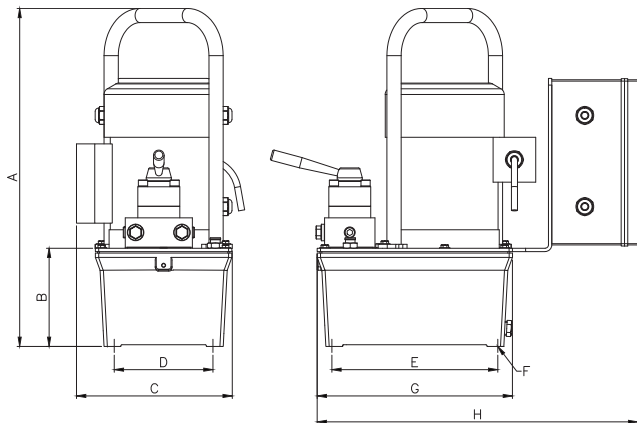
ELECTRIC PUMPS

BETEX EP 13 SERIES, ELEKTRIC HYDRAULIC PUMPS, 3 LITER, 700 BAR



EP 13S

- Electric pump, 120/230V, 5A, 50/60Hz universal motor, thermal protection
- Very quiet (about 80dBA at 700 bar)
- Remote control incl. cord (3 mtr)
- Automatic overload-relief valve (700 bar) protects components in hydraulic systems and ensures safe operation
- Specially designed EP 13D for double-acting cylinders without the need for extra control valve and adapters



EP 13 series

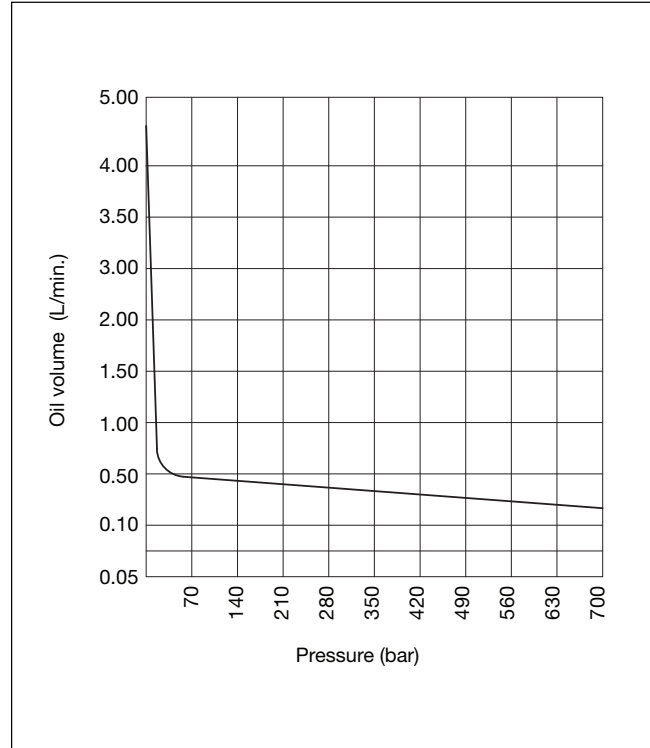
Type	Art. no.	Voltage	Valve	Valve function	Motor
EP 13S	8300010	120V	2 pos./	Advance / return	0.37kW, 120V/10A-230V/5A
EP 13S	8300012	230V	2-way		
EP 13D	8300011	120V	3 pos./	Advance / hold return	50/60Hz, single phase
EP 13D	8300013	230V	4-way		

TIP! Use in combination with accessories page 108 -112

Type	Function	Content reservoir (liter)	Usable oil (liter)	Max. pressure (bar)	Oil volume (cm ³ /min.@60Hz)				A mm	B mm	C mm	D mm	E mm	F	G mm	H mm	Weight Kg
					0 bar	7 bar	350 bar	700 bar									
EP 13S	single	3	2.8	700	4200	2800	330	300	512	149	236	149.5	251	1/4"- 20UNF 10 deep	296	485	26.5
EP 13D	double	3	2.8	700	4200	2800	330	300	512	149	236	149.5	251	1/4"- 20UNF 10 deep	296	485	26.5

ELECTRIC PUMPS

BETEX EP 18 SERIES, ELECTRO-HYDRAULIC PUMPS, 8 LITER, 700 BAR

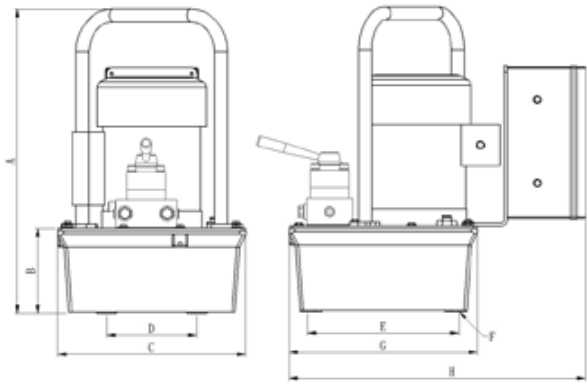


EP18DS

- Electric pump, 120/230V, 5A, 50/60Hz universal motor, thermal protected
- Very quiet (about 80dBA at 700 bar)
- Remote control incl. cord (3 mtr)
- Automatic overload-relief valve (700 bar) protects components in hydraulic systems and ensures safe operation
- The EP 18D has been specially designed for double-acting cylinders without the need for extra control valve and adapters
- Type EP 18SS and EP 18DS are fitted with a solenoid valve

EP 18 series

Type	Valve	Valve function	Motor
EP 18S(S)*	2 pos./ 2-way	Advance / return	0.37kW, 120V/10A-230V/5A 50/60Hz, single phase
EP 18D(S)*	3 pos./ 4-way	Advance / hold return	



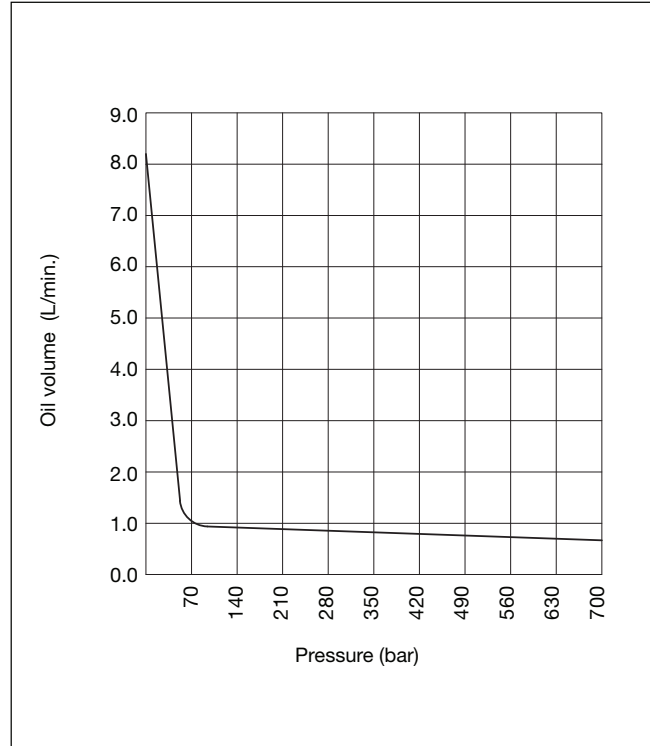
TIP! Use in combination with accessories page 108 -112

Type	Art. no.	Voltage*	Function	Content reservoir (liter)	Usable oil (liter)	Max. pressure (bar)	Oil volume (cm ³ /min.@60Hz) in bar				A mm	B mm	C mm	D mm	E mm	F	G mm	H mm	Weight kg
							0	7	350	700									
EP 18S EP 18S	8300021 8300031	120V 230V	single	8	6	700	4200	2800	330	300	505	142	312	149.5	251	1/4"-20UNF 15 deep	312	492	31
EP 18D EP 18D	8300023 8300033	120V 230V	double	8	6	700	4200	2800	330	300	505	142	312	149.5	251	1/4"-20UNF 15 deep	312	492	31
EP 18SS** EP 18SS**	8300022 8300032	120V 230V	single	8	6	700	4200	2800	330	300	505	142	312	149.5	251	1/4"-20UNF 15 deep	312	492	31
EP 18DS** EP 18DS**	8300024 8300034	120V 230V	double	8	6	700	4200	2800	330	300	505	142	312	149.5	251	1/4"-20UNF 15 deep	312	492	31

* 120V models also available ** model with solenoid valve

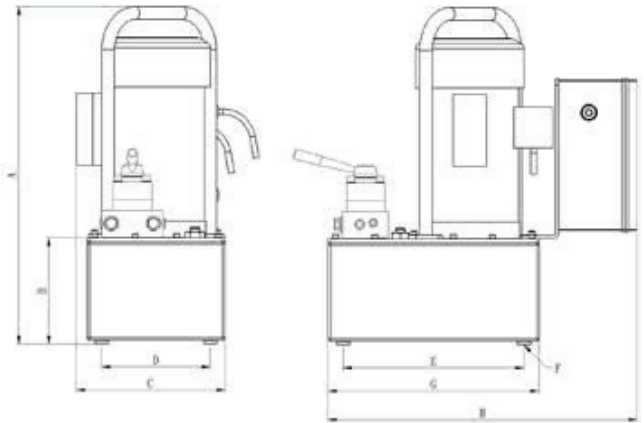
ELECTRIC PUMPS

BETEX EP 211 SERIES, ELECTRO-HYDRAULIC PUMPS, 11 LITER, 700 BAR



EP 211D

- Electric pump, 120/230V, 5A, 50/60Hz universal motor, thermal protection
- Very quiet (about 80dBA at 700 bar)
- Remote control incl. cord (3 mtr)
- Automatic overload-relief valve (700 bar) protects components in hydraulic systems and ensures safe operation
- The EP 211D has been specially designed for double-acting cylinders without the need for extra control valve and adapters
- Type EP 211SS and EP 211DS are fitted with a solenoid valve



EP 211 series

Type	Valve	Valve function	Motor
EP 211S(S)*	2 pos./ 2-way	Advance / return	1.12kW, 120V/23A-230V/12A
EP 211D(S)*	3 pos./ 4-way	Advance / hold return	

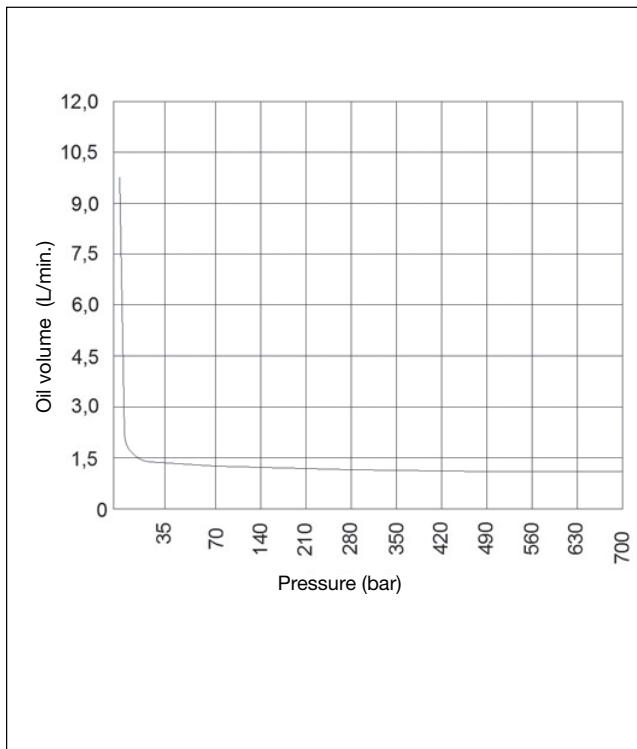
TIP! Use in combination with accessories page 108 -112

Type	Art. no.	Voltage*	Function	Content reservoir (liter)	Usable oil (liter)	Max. pressure (bar)	Oil volume (cm ³ /min.@60Hz) in bar				A mm	B mm	C mm	D mm	E mm	F	G mm	H mm	Weight kg
							0	7	350	700									
EP 211S EP 211S	8300041 8300051	120V 230V	single	11	8.5	700	8200	7400	840	750	560	176	247	180	300	1/2"-20UNF 15 deep	350	512.5	37
EP 211D EP 211D	8300043 8300053	120V 230V	double	11	8.5	700	8200	7400	840	750	560	176	247	180	300	1/2"-20UNF 15 deep	350	512.5	37
EP211SS** EP211SS**	8300042 8300052	120V 230V	single	11	8.5	700	8200	7400	840	750	560	176	247	180	300	1/2"-20UNF 15 deep	350	512.5	37
EP211DS** EP211DS**	8300044 8300054	120V 230V	double	11	8.5	700	8200	7400	840	750	560	176	247	180	300	1/2"-20UNF 15 deep	350	512.5	37

* 120V models also available ** model with solenoid valve

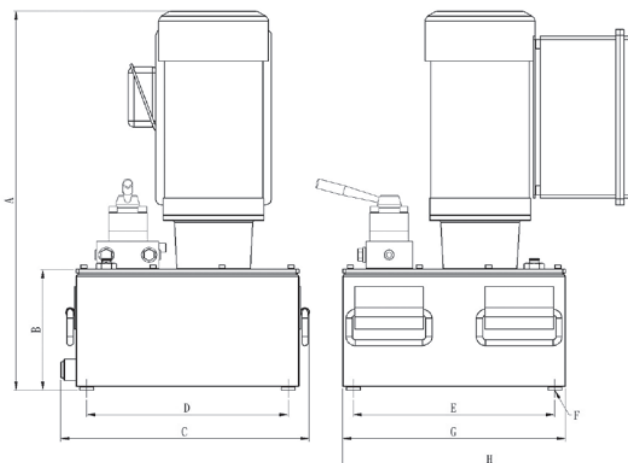
ELECTRIC PUMPS

BETEX EP 320 SERIES, ELECTRO-HYDRAULIC, 20 LITER, 700 BAR



EP 320S

- Electric pump, 230/400V, 5A, 50/60Hz universal motor, thermal protection
- Very quiet (about 80dBA at 700 bar)
- Remote control incl. cord (3 mtr)
- Automatic overload-relief valve (700 bar) protects components in hydraulic systems and ensures safe operation
- Specially designed EP 13D for double-acting cylinders without the need for extra control valve and adapters



EP320 series

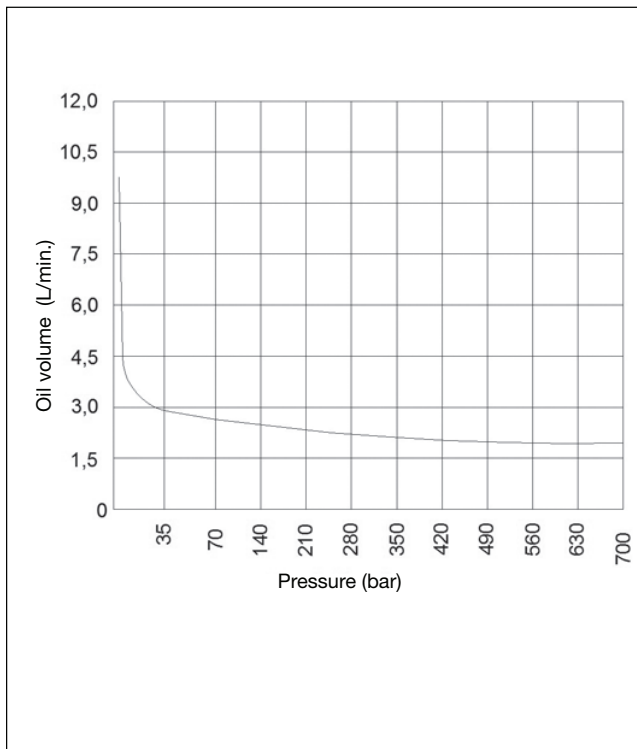
Type	Art. no.	Valve	Valve function	Motor
EP 320S	8300061	2 pos./ 2-way	Advance / return	1.49kW 230V/7.5A-400V/5A
EP 320D	8300063	3 pos./ 4-way	Advance / hold return	50/60Hz 3 phase

TIP! Use in combination with accessories page 108 -112

Type	Function	Content reservoir (liter)	Usable oil (liter)	Max. pressure (bar)	Oil volume (cm ³ /min.@60Hz)				A mm	B mm	C mm	D mm	E mm	F	G mm	H mm	Weight Kg
					7 bar	70 bar	350 bar	700 bar									
EP 320S	single	20	15	700	9500	1100	1060	980	630	199	407	330	330	1/2"- 20UNF 19 deep	365	483	54
EP 320D	double	20	15	700	9500	1100	1060	980	630	199	407	330	330	1/2"- 20UNF 19 deep	365	483	54

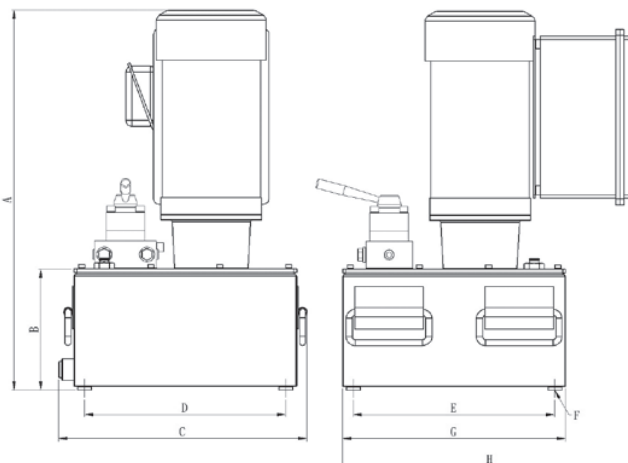
ELECTRIC PUMPS

BETEX EP 420 SERIES, ELECTRO-HYDRAULIC PUMPS, 20 LITER, 700 BAR



EP 420D

- Electric pump, 230/400V, 6A, 50/60Hz universal motor, thermal protection
- Very quiet (about 80dBA at 700 bar)
- Remote control incl. cord (3 mtr)
- Automatic overload-relief valve (700 bar) protects components in hydraulic systems and ensures safe operation
- Specially designed EP 420D for double-acting cylinders without the need for extra control valve and adapters



EP 420 series

Type	Art. no.	Valve	Valve function	Motor
EP 420S	8300081	2 pos./ 2-way	Advance / return	2.24kW 230V/10A-400V/6A
EP 420D	8300083	3 pos./ 4-way	Advance / hold return	50/60Hz 3 phase

TIP! Use in combination with accessories page 108 -112

Type	Function	Content reservoir (liter)	Usable oil (liter)	Max. pressure (bar)	Oil volume (cm ³ /min.@60Hz)				A mm	B mm	C mm	D mm	E mm	F	G mm	H mm	Weight Kg
					7 bar	70 bar	350 bar	700 bar									
EP 420S	single	20	15	700	9500	2600	2100	1950	630	199	407	330	330	1/2"- 20UNF 19 deep	365	483	59
EP 420D	double	20	15	700	9500	2600	2100	1950	630	199	407	330	330	1/2"- 20UNF 19 deep	365	483	59

ULTRA HIGH PRESSURE PUMPS

BETEX AHP/UHP SERIES, ULTRA HIGH PRESSURE - ALUMINIUM HAND PUMPS:
1000 / 1500 / 2800 BAR



AHP 704



Hand pump set UHP 2800



UHP 2800



AHP 705

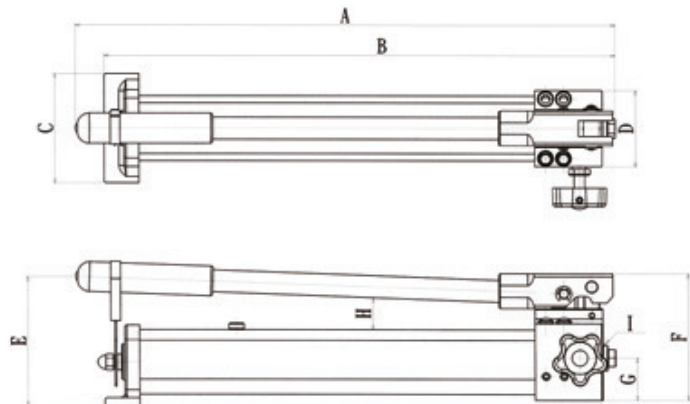
- AHP704: high working pressure up to 1000 / 1500 bar
- UHP 2800 light weight model for ultra high working pressure of 2800 bar for special applications
- Automatic overload-relief valve protects components in hydraulic systems and ensures safe operation

Also available as **HAND PUMP SETS**, which are supplied complete with:

- T-adapter
- gauge
- hose 1.8 mtr
- couplings
- steel storage case

AHP/UHP series

Type	Art. no.
AHP 704	7265800
AHP 705	7265900
UHP 2800	7292800



Type	Pressure rating (bar)		Usable oil cap. cm ³	Oil volume per stroke cm ³		A mm	B mm	C mm	D mm	E mm	F mm	G mm	H mm	I	Weight Kg
	1st stage	2nd stage		1st stage	2nd stage										
AHP 704	13.8	1000	1000	12.9	1.65	539	501	110	77	145	127	42.5	37	3/8" - NPT	3.5
AHP 705	13.8	1500	2700	6.5	1.00	699	629	150	102	152	157	50	37	3/4" - 16UNF	6.7
UHP 2800	14.0	2800	1000	12.9	0.65	620	488	80	140	108	157	26	37	3/4" - 16UNF	5.3

ULTRA HIGH PRESSURE AIR PUMPS

BETEX UHAP SERIES, ULTRA HIGH PRESSURE ALUMINIUM AIR PUMPS, 2800 BAR



General purpose air driven ultra high pressure hydraulic pump. Suitable for pumping water and oil up to 2800 bar.

- Portable, compact
- Single acting
- Max. working pressure: 7 bar
- Max. output pressure: 2800 bar
- With easy to connect bayonet coupler and flexible hose (3 mtr)
- Automatic overload-relief valve
- Including air filter and gauge
- Optional: trolley

Model: UHAP 2800
 Capacity: 2800 bar
 Oil capacity: 5 liter
 Max. cap.: **0.43** liter p/min,
 at 7 bar air pressure

Model: UHAP 2800 ULTRA
 Capacity : 2800 bar
 Oil capacity: 5 liter
 Max. cap.: **0.75** liter p/min,
 at 7 bar air pressure

Both pumps are inclusive:

- gauge (0-3000 bar scale)
- flexible HD hose (3 mtr, incl extra coupler set)
- coupler 1/4"



UHAP series

Type	Art. no.	Capacity	Oil capacity	Max. capacity	Weight Kg
UHAP 2800	7292803	2800 bar	5 liter	0.43 Liter p/min, at 7 bar air pressure	29
UHAP 2800 ULTRA	7292802	2800 bar	5 liter	0.75 Liter p/min, at 7 bar air pressure	32

ACCESSORIES Max. working pressure, 700 bar

With this simple yet complete line of accessories, consisting of hydraulic hoses, couplings, manifolds, pressure gauges, Betex has the right accessory for a secure and optimally functioning system.

COUPLER SETS

- BETEX supplies a variety of screw-set quick couplers in four different sizes. These can also be used with existing hydraulic systems.
- All couplers are rated to 700 bar, and have an anti-leak mechanism that works in either low- and/or high-pressure conditions.



CP 330B



CP 331B



CP 332B

Couplers	End one	
CP 330B	3/8" NPT	Standard coupler set
CP 331B	3/8" NPT	Standard coupler female
CP 332B	3/8" NPT	Standard coupler male
CP 430	3/8" NPT	No-spill coupler set
CP 431	3/8" NPT	No-spill coupler female
CP 432	3/8" NPT	No-spill coupler male

Type hoses	End one	End two	Length (mm)	ID (mm)
Rubber				
HS 332	3/8" NPT	3/8" NPT	600	6.4
HS 333	3/8" NPT	3/8" NPT	900	6.4
HS 335	3/8" NPT	3/8" NPT	1500	6.4
HS 336	3/8" NPT	3/8" NPT	1800	6.4
HS 338	3/8" NPT	3/8" NPT	2400	6.4
HS 3310	3/8" NPT	3/8" NPT	3000	6.4
HS 3312	3/8" NPT	3/8" NPT	3600	6.4
HS 3315	3/8" NPT	3/8" NPT	4500	6.4
HS 3320	3/8" NPT	3/8" NPT	6000	6.4
HS 3330	3/8" NPT	3/8" NPT	9000	6.4
HS 3350	3/8" NPT	3/8" NPT	15000	6.4



CP 430



CP 431



CP 432

HOSES

- Heavy-duty hoses rated at 700 bar meet worldwide safety standards
- Hoses are black rubber coated with two layers of steel braided reinforcement
- Flexible hoses with spring guards at both ends.
- Available to special lengths upon request.

Rubber High-flow				
HFHS 332-BG	3/8" NPT	3/8" NPT	600	9.4 High-flow
HFHS 333-BG	3/8" NPT	3/8" NPT	900	9.4 High-flow
HFHS 335-BG	3/8" NPT	3/8" NPT	1500	9.4 High-flow
HFHS 336-BG	3/8" NPT	3/8" NPT	1800	9.4 High-flow
HFHS 338-BG	3/8" NPT	3/8" NPT	2400	9.4 High-flow
HFHS 3310-BG	3/8" NPT	3/8" NPT	3000	9.4 High-flow
HFHS 3312-BG	3/8" NPT	3/8" NPT	3600	9.4 High-flow
HFHS 3315-BG	3/8" NPT	3/8" NPT	4500	9.4 High-flow
HFHS 3320-BG	3/8" NPT	3/8" NPT	6000	9.4 High-flow



Polyurethane				
PHS 332	3/8" NPT	3/8" NPT	600	6.4
PHS 333	3/8" NPT	3/8" NPT	1000	6.4
PHS 335	3/8" NPT	3/8" NPT	1500	6.4
PHS 336	3/8" NPT	3/8" NPT	1800	6.4
PHS 338	3/8" NPT	3/8" NPT	2400	6.4
PHS 3310	3/8" NPT	3/8" NPT	3000	6.4
PHS 3312	3/8" NPT	3/8" NPT	3600	6.4
PHS 3315	3/8" NPT	3/8" NPT	4500	6.4
PHS 3320	3/8" NPT	3/8" NPT	6000	6.4
PHS 3330	3/8" NPT	3/8" NPT	9000	6.4
PHS 3350	3/8" NPT	3/8" NPT	15000	6.4

Polyurethane High-flow				
HPHS 332	3/8" NPT	3/8" NPT	600	9.7 High-flow
HPHS 333	3/8" NPT	3/8" NPT	1000	9.7 High-flow
HPHS 335	3/8" NPT	3/8" NPT	1500	9.7 High-flow
HPHS 336	3/8" NPT	3/8" NPT	1800	9.7 High-flow
HPHS 338	3/8" NPT	3/8" NPT	2400	9.7 High-flow
HPHS 3310	3/8" NPT	3/8" NPT	3000	9.7 High-flow
HPHS 3312	3/8" NPT	3/8" NPT	3600	9.7 High-flow
HPHS 3315	3/8" NPT	3/8" NPT	4500	9.7 High-flow
HPHS 3320	3/8" NPT	3/8" NPT	6000	9.7 High-flow
HPHS 3330	3/8" NPT	3/8" NPT	9000	9.7 High-flow

MANOMETER

Type	Description	Dimensions mm
M0031B		Liquid-filled, dampens needle vibration. Calibrated to read in bar, psi. External diameter gauge – 2 1/2"; Accuracy meets DIN standard, ±1.6% of full scale.
M0040		All functions similar to M0031B except the dial 100 mm

ACCESSORIES Max. working pressure, 700 bar


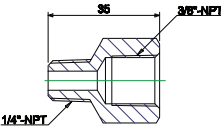

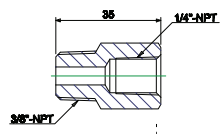

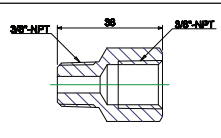

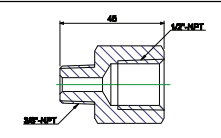

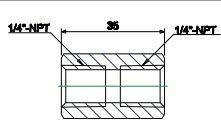

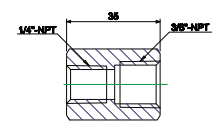

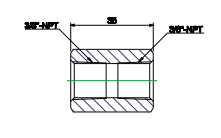

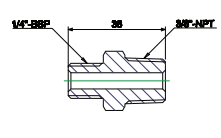

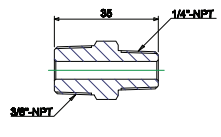

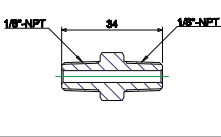

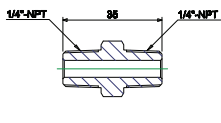
Accessories


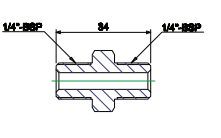

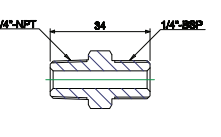

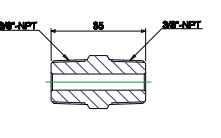

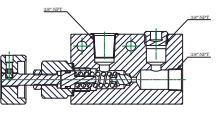

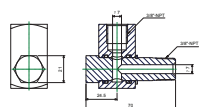
Type	Description	Dimensions mm
JP64	Manifold valve	
JP65	Manifold valve	
JP65	Manifold valve	
VB66	Control valve	
VB101	Control valve	
VC331	Control valve	
VB201	Manifold valve	
VB401	Manifold valve	
E0567	T-adapter for gauge	
E1336	T-adapter for gauge	
E1343	T-adapter for gauge	
E1745	T-adapter for gauge	

Type	Description		Dimensions mm
ADG323	T-adapter for gauge high-flow		
ADL101	Corner		
ADL202	Corner		
ADL303	Corner		
ADC303	Corner		
ADE303	Corner		
ADT101	T-piece		
ADT202	T-piece		
ADT303	T-piece		
ADG303	T-piece		
ADF102	Adapter		

ACCESSORIES Max. working pressure, 700 bar


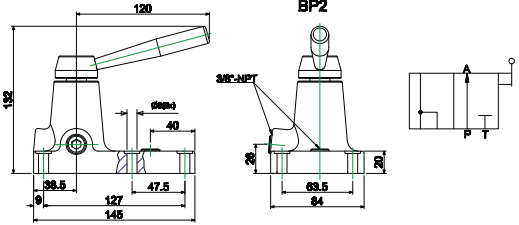
Accessories

Type	Description		Dimensions mm
ADF203	Adapter		
ADF302	Adapter		
ADF303	Adapter		
ADF304	Adapter		
ADI202	Connector		
ADI203	Connector		
ADI303	Connector		
ADO2031	Reducing connector		
ADO203	Reducing connector		
ADO101	Hexagon nipple		
ADO202	Hexagon nipple		


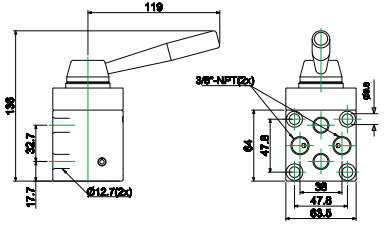

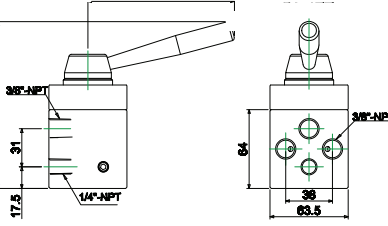
Type	Description		Dimensions mm
ADO204	Hexagon nipple		
ADO205	Hexagon nipple		
ADO303	Hexagon nipple		
BG9623	Pressure regulator		
BG9705	High-flow swivel connector		

ACCESSORIES Max. working pressure, 700 bar

3-way directional control valve

Type	Description		Dimensions mm
BP2	700 bar; 17 l/min manual, 2-position, advance/retract for single-acting cylinders		

4-way directional control valve

Type	Description		Dimensions mm
BP421	For use with double-acting cylinder or two single-acting cylinders 700 bar; 17 l/min manual, advance/hold/retract		
BP422			
BP423 *BP425	manual, advance/hold/retract; Lock for load holding	