

HYDRAULIC PULLERS

BETEX HP 2/3-arm pullers, with integrated pump and cylinder



Compact, ergonomic design, easily operated by one person!

- **Multifunctional!**

These HP-pullers are ideal for pulling a wide variety of parts, including bearings, bushings, wheels, gears and pulleys. Applications for HP-pullers will be found in motor repair shops, service companies, maintenance shops, industry, mining, paper mills, chemical plants, shipping, offshore, etc.

- **Compact!**

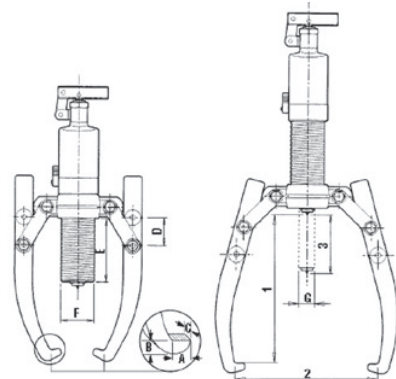
The self contained hydraulic pump saves space, as you don't need a separate pump, hose or cylinder.

- **Strong!**

The harder the force, the tighter the jaws grip!
The arms cannot bend or deflect.

- **Economical!**

2- or 3-arm combination puller, two pullers for the price of one, including integrated pump and cylinder!



- **Safe!**

The integral safety release valve prevents overloading and ensures you never exceed maximum power capacity.

- **Versatile!**

Various accessories are available. The sets are supplied in a practical PE case and consist of a puller block, connecting rods and a set of bearing splitters.

4, 6, 8, 12, 20 and 30 ton capacity!

BETEX HP 2/3-arm hydraulic pullers

TIP! For accessory sets see page 60-61

| Type | Art. no. | Cap. ton | Max. shaft length mm | Max. spread mm | Stroke mm | A mm | B mm | C mm | D mm | E mm | F mm | G mm | Weight Kg |
|----------|----------|----------|----------------------|----------------|-----------|------|------|------|------|------|------|------|-----------|
| HP 43 * | 791000 | 4 | 185 | 255 | 60 | 11 | 6 | 22 | 32 | 84 | 42 | 22 | 4.5 |
| HP 63 * | 792000 | 6 | 220 | 330 | 70 | 13 | 10 | 25 | 51 | 122 | 45 | 25 | 6.5 |
| HP 83 * | 793000 | 8 | 230 | 350 | 85 | 11 | 10 | 25 | 51 | 122 | 50 | 25 | 6.5 |
| HP 123 * | 794000 | 12 | 270 | 375 | 85 | 14 | 10 | 29 | 51 | 118 | 60 | 28 | 8.0 |
| HP 203** | 796000 | 20 | 360 | 520 | 111 | 20 | 27 | 33 | 60 | 161 | 80 | 40 | 22.0 |
| HP 303** | 797000 | 30 | 360 | 550 | 111 | 20 | 27 | 38 | 60 | 155 | 98 | 50 | 32.0 |

* incl. safety net

** incl. safety blanket

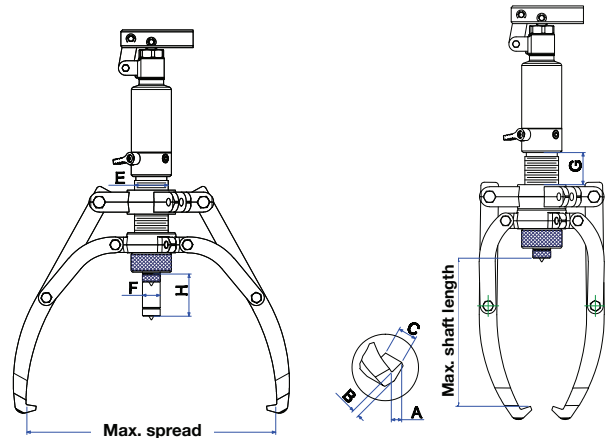
HYDRAULIC PULLERS

BETEX HSP 2/3-arm pullers, **self-centering**, with integrated pump and cylinder



Compact, ergonomic design, easily operated by one person!

- **Practical!**
Self-centering, easy to convert, 2-arm or 3-arm puller. The arms slide inwards or outwards simultaneously.
- **Compact!**
The self contained hydraulic pump saves space, as you don't need a separate pump, hose or cylinder.
- **Strong!**
The harder the force, the tighter the jaws grip. The arms cannot bend or deflect.
- **Economical!**
2/3-arm combination puller, two pullers for the price of one, including integrated pump and cylinder!
- **Safe!**
The integral safety release valve prevents overloading and ensures you never exceed maximum power capacity.
- **Versatile!**
Various accessories are available. The sets are supplied in a practical PE case and consist of a puller block, connecting rods and a set of bearing splitters.



Advantages of these self-centering pullers:

- Prevent damage to shaft and workpiece being pulled.
- Efficient and saves time.
- Can be used in any position.
- Adapters included.

4, 6, 8, 12, 20 and 30 ton capacity!

BETEX HSP 2/3-arm hydraulic self-centering pullers

TIP! For accessory sets see page 60-61

| Type | Art. no. | Cap. ton | Max. shaft length mm | Max. spread mm | Stroke mm | A mm | B mm | C mm | D mm | E mm | F mm | G mm | Weight Kg |
|-----------|----------|----------|----------------------|----------------|-----------|------|------|------|------|------|------|------|-----------|
| HSP 43* | 791500 | 4 | 190 | 315 | 60 | 13 | 10 | 22 | - | 40 | 42 | 22 | 8.0 |
| HSP 63* | 792500 | 6 | 230 | 390 | 70 | 13 | 10 | 22 | - | 50 | 45 | 23 | 10.0 |
| HSP 83* | 793500 | 8 | 280 | 463 | 85 | 13 | 13 | 27.5 | - | 70 | 50 | 25 | 12.0 |
| HSP 123* | 794500 | 12 | 300 | 515 | 85 | 15 | 16.5 | 29 | - | 70 | 60 | 28 | 15.0 |
| HSP 203** | 796500 | 20 | 325 | 520 | 111 | 20 | 27 | 33 | - | 62 | 80 | 40 | 25.0 |
| HSP 303** | 797500 | 30 | 415 | 620 | 111 | 20 | 27 | 38 | - | 85 | 98 | 50 | 36.0 |

* incl. safety net ** incl. safety blanket

HYDRAULIC PULLERS

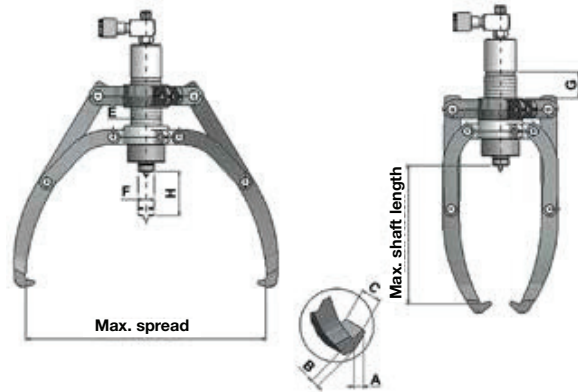
BETEX HXP 2/3-arm pullers, **self-centering**



Safe and user-friendly dismantling of bearings, couplings, rings etc.

Separate 2-stage handpump available

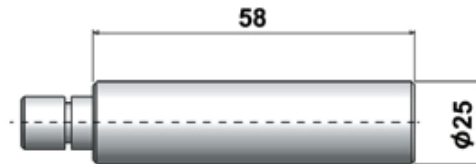
- **Practical!**
Self-centering, easy to convert 2- or 3-arm puller. The arms slide inwards or outwards simultaneously.
- **Safe!**
Arms can never deflect!
- **Economical!**
2- or 3-arm combination puller. Two pullers for the price of one.
- **Strong!**
The greater the pulling force, the tighter the jaws grip! The arms cannot bend or deflect.
- HXP503 also available with mobile crane (see page 64 + 65).



Advantages of self centering pullers:

- Prevent damage to shaft and workpiece being pulled.
- Work efficient and save time.
- Accessory sets are available for the 8 and 12 ton pullers.
- Supplied in handy carrying case.

8, 12, 20, 30 and 50 ton capacity!



BETEX HXP hydraulic self-centering pullers

| Type | Art. no. | Cap. ton | Max. shaft length mm | Max. Spread mm | Stroke H mm | Pump tip mm | | | Jaw tip mm | | | Weight Kg |
|-----------|----------|----------|----------------------|----------------|-------------|-------------|----|----|------------|------|------|-----------|
| | | | | | | E | F | G | A | B | C | |
| HXP 83* | 793600 | 8 | 280 | 460 | 85 | 42 | 22 | 40 | 13 | 10 | 22 | 9.0 |
| HXP 123* | 794600 | 12 | 300 | 515 | 85 | 50 | 25 | 70 | 13 | 13 | 27.5 | 11.7 |
| HXP 203** | 796600 | 20 | 325 | 520 | 111 | 60 | 28 | 70 | 15 | 16.5 | 29 | 24.0 |
| HXP 303** | 797600 | 30 | 415 | 620 | 111 | 80 | 40 | 62 | 20 | 27 | 33 | 34.0 |
| HXP 503** | 799600 | 50 | 455 | 860 | 159 | 127 | 40 | — | 20 | 34 | 62 | 140.0 |

* incl. safety net ** incl. safety blanket

TIP! Use in combination with accessories page 60-61 and hand and foot pump sets, from page 93.

HYDRAULIC PULLERS

BETEX TRI-SECTION PULLERS



BETEX Tri-section pullers

- The complete hydraulic tri-section puller set includes the Tri-section Plate for safe and easy dismantling.
- The narrow plate edges enable the dismantling of hard-to-grip components.
- The Tri-section Plate grip behind the inner and outer rings of the bearing, preventing the pulling force from being transmitted through the moving parts, minimizing the risk of bearing damaged.
- Most parts are forged SCM440 alloy steel, creating a very safe and durable product.

This complete puller set is available in 4 capacities and consists of:

- Integrated pump and cylinder
- Handle 360° adjustable
- Tri-section plate
- Puller block
- Connection rods
- Steel storage case

4, 6, 8 and 12 ton capacity!



BETEX Tri-section hydraulic pullers

| Type | Art. no. | Cap. ton | Max. shaft length mm | Min. Spread mm | Max. Spread mm | Weight Kg |
|---------------------|----------|----------|----------------------|----------------|----------------|-----------|
| Tri-section set 4t | 792160 | 4 | 211 | 30 | 160 | 20 |
| Tri-section set 6t | 792210 | 6 | 243 | 50 | 210 | 30 |
| Tri-section set 8t | 792340 | 8 | 243 | 50 | 270 | 34 |
| Tri-section set 12t | 792495 | 12 | 284 | 90 | 340 | 68 |

HYDRAULIC PULLERS

BETEX HPP, self-centering 3-in-1 PUSH PULLER



Push



Pull



Pull



Push



Push Puller: three-in-one tool

This unique patented design provides end users with a three-in-one tool to easily and safely fit or mount/dis-mount bearings and sleeves using either their inner or outer edges.

The push puller is specially designed for combined pushing and pulling. The forces are evenly distributed, creating a perfectly axial process.

The pushing jaws fit on the bearing's inner ring, preventing the transmission of forces and/or heat through the outer ring to the moving parts, minimizing the risk of bearing damage.

User-friendly

- Unique, patented double-acting cylinder.
- Unique jaw design for mounting and outer ring pulling without removing and changing.
- Three-jaw structure always provides an even and constant force, whether mounting, outer-ring pulling or inner-ring pulling.
- The extension bars can be used where necessary for extra reach.

- Self-centering design of the inner puller always provides an even force and prevents jaws sliding off during operation.

Safe

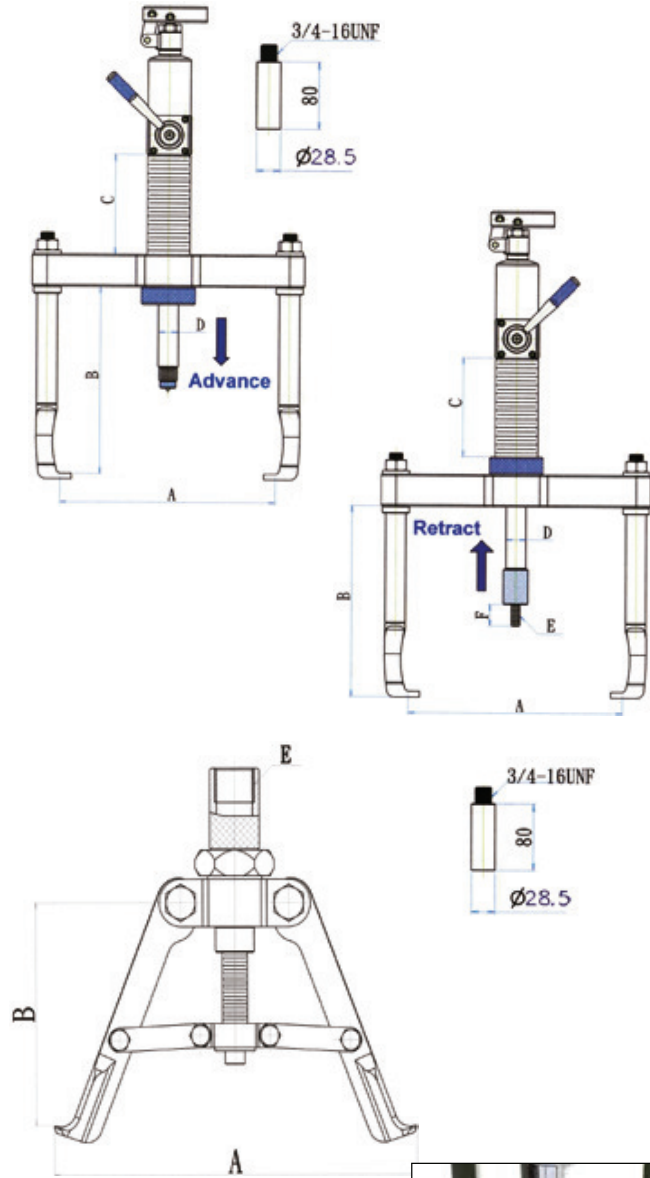
- The built-in safety valve ensures user safety and prevents damage to tool and job, prevents overload and ensures that you never exceed the maximum power capacity.
- Most parts are forged SCM440 alloy steel, creating a very safe and durable product.

Cost-reducing

- Three-in-one design reduces preparation, tool-reset time and duration of operation.
- This push puller is ideal for fitting and removing a wide variety of press-fit parts, including bushings, wheels, bearings, gears and pulleys.

HYDRAULIC PULLERS

BETEX HPP, self-centering 3-in-1 PUSH PULLER



BETEX Push Puller / 3-in-1

TIP! Use in combination with: page 60 + 61.

| Type | Art. no. | Operations | Output ton | A mm | B mm | C mm | D mm | E | F mm | Weight Kg |
|---------|----------|---------------|------------|----------|----------|------|------|-----------|------|-----------|
| HPP 123 | 794200 | Installing | 8 | 44 -280 | 270 | 140 | 28 | M12-P1.75 | 30 | 19.5 |
| | | Outer pulling | 12 | 85 -300 | 260 | 140 | 28 | - | - | |
| | | Inner pulling | 8 | 110 -210 | 130 -150 | - | - | 1"-12UNF | - | |

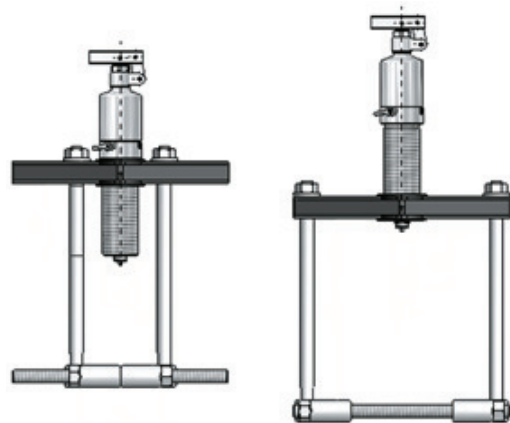
ACCESSORY SETS

BETEX BEARING SPLITTERS

This accessory set consists of:

- 1 puller block
- 2 connection rods (legs)
- 2 sets of bearing splitters for a min./max. Ø15-290 mm

You can use the cylinder from the HP/HSP/HXP series.



Accessory sets for 4,6, 8,12 ton pullers HP, HSP, HXP, HPP

| Type | Art. no. | Cap. ton | Shaft length mm | Min/max spread mm | Weight kg |
|--|----------|----------|-----------------|-------------------|-----------|
| Acc. Set HP 43, HSP 43 | 791100 | 4 | 250 | Ø 15-110 | 8.5 |
| Acc. Set HP 63, HSP 63, | 792100 | 6 | 270 | Ø 25-180 | 11.5 |
| Acc. Set HP 83, HSP 83, HXP 83 | 793100 | 8 | 270 | Ø 40-220 | 12.6 |
| Acc. Set HP 123, HSP 123, HXP 123, HPP 123 | 794100 | 12 | 380 | Ø 45-290 | 18.0 |

ACCESSORY SETS

BETEX TRI-SECTION PLATES



The tri-section plates are specially designed to be used in conjunction with the three-armed hydraulic pullers. The unique and patented swivel design creates maximum spread and applies even force at the most efficient point. The plates grip behind the inner and outer rings of the bearing, preventing the pulling force from being transmitted through the moving parts, minimizing the risk of bearing damage.

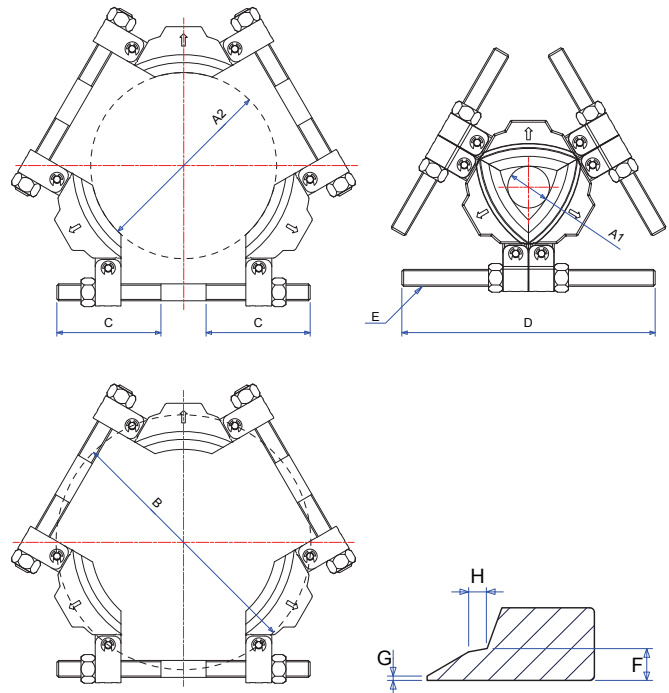
User-friendly

- Unique, patented swivel design creates maximum spread.
- The tri-section construction provides even-force distribution, preventing bearings from locking and/or tilting on the shaft during removal.
- Suitable for use in conjunction with all three-armed hydraulic pullers.
- Available in a wide range, covering the most common shaft sizes.

The Tri-section plates series consists of 4 different sizes of tri-section plates that are suitable for shafts ranging from 26 to 495 mm (2" to 19.5").

Use in combination with

Tri-section 160: HP/HSP 43, 63
 Tri-section 210: HP/HSP 63, 83
 Tri-section 340: HP/HSP/HXP 83, 123, 203, HPP 123
 Tri-section 495: HP/HSP/HXP 203, 303



| Type | Art. no. | Cap. ton | Available shaft diam | | Spread B (mm max) | C mm | D mm | E | F mm | G mm | H mm | Weight kg |
|-----------------|----------|----------|----------------------|-------|-------------------|------|------|--------------|------|------|------|-----------|
| | | | A1 mm | A2 mm | | | | | | | | |
| Tri-section 160 | 791160 | 6 | 26 | 160 | 216 | 105 | 240 | 5/8"-11UNC | 8 | 2 | 6.5 | 3.5 |
| Tri-section 210 | 791210 | 8 | 50 | 210 | 280 | 117 | 285 | 7/8"-14UNF | 10 | 2 | 9 | 5.5 |
| Tri-section 340 | 791340 | 20 | 90 | 340 | 460 | 175 | 430 | 1 1/4"-12UNF | 14 | 2 | 8 | 18 |
| Tri-section 495 | 791495 | 30 | 140 | 495 | 660 | 235 | 610 | 1 3/4"-12UNF | 20 | 2 | 12 | 45 |

MOBILE HYDRAULIC PULLER

BETEX MOBIPULLER

**25
OR
50
TON**



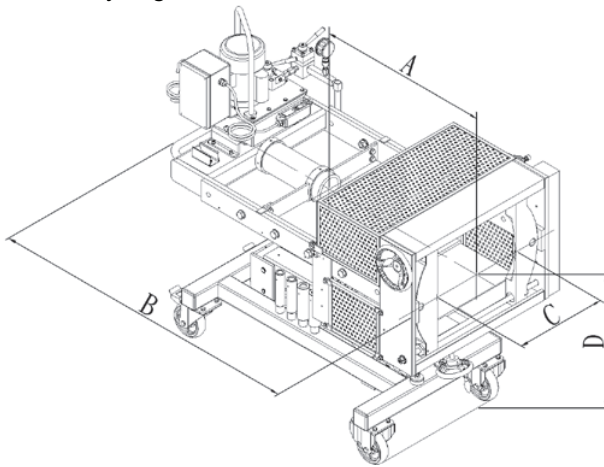
MOBILE HYDRAULIC PULLER

BETEX MOBIPULLER

THE BETEX MOBIPULLER is a heavy duty, mobile hydraulic puller. It is used for dismantling bearings, couplings, gears and other parts, with relative speed and ease. The Mobipuller excels through functional and ergonomic operation. It is stable, mobile and adjustable in height. A maximum tractive force of either 25 or 50 tons can be applied with diameters of up to 430 mm. To ensure safe and easy operation the electrical models are equipped with remote control, safety cage and pressure gauge.

All models are standard equipped with

- an oil-filled pressure gauge
- 4 adaptors with an ID of 40 mm (2pcs) and 50 mm (2pcs)
- 4 stable wheels with polyurethane tires, 2 swiveling wheels with double functioning brake
- Safety cage



| | | |
|----|-----------------------------------|--------------|
| A: | In standard position mm: | see table |
| A: | In extended position mm: | see table |
| B: | Frame length in standard pos. mm: | 1560 |
| B: | Frame length in extended pos. mm: | 1940 |
| | Position low / high mm: | 1510/2040 |
| | Dimensions L x B mm: | 1570x990 |
| C: | Diameter of jaws mm: | 430 |
| D: | Set-up height mm: | 900/1430 |
| | Adaptors mm (155 mm): | 2xØ40, 2xØ50 |

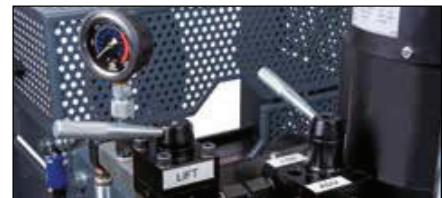


Auxiliary tools for dismantling of inner rings and delicate components (option).

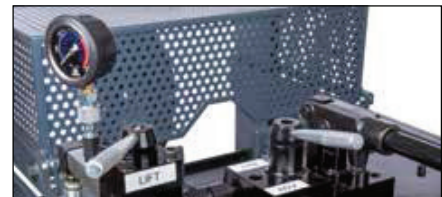
Double acting
electric



Single acting
electric



Single acting
manual



| Meaning of codes: | | Type | Art. no. | Cap. ton | Stroke cylinder | Pump hydraulic manual/electrical | In standard position A1 mm | In extended position A2 mm | Weight kg |
|-------------------|------------------------|-------------------|----------|----------|-----------------|----------------------------------|----------------------------|----------------------------|-----------|
| 25-50 | tractive force in tons | 25 HV 430 S 260 | 700001 | 25 | 260 | manual | 770 | 1150 | 415 |
| 430 | max. diameter in mm | 25 EVA 430 S 260 | 700002 | 25 | 260 | single acting electrical | 770 | 1150 | 430 |
| H | manual hydraulic | 50 HV 430 S 260 | 700003 | 50 | 260 | manual | 740 | 1120 | 435 |
| E | electrical hydraulic | 50 EVA 430 S 260 | 700004 | 50 | 260 | single acting electrical | 740 | 1120 | 450 |
| V | mobile | 50 EVA 430 S 340 | 700005 | 50 | 340 | single acting electrical | 660 | 1040 | 455 |
| A | remote control | 50 EVAD 430 S 340 | 700006 | 50 | 340 | double acting electrical | 615 | 995 | 470 |
| S | max. stroke in mm | 50 EVAD 430 S 460 | 700007 | 50 | 460 | double acting electrical | 470 | 850 | 485 |
| D | double acting | | | | | | | | |

MOBILE HYDRAULIC PULLER

BETEX HXPC 2/3-arm puller, **self-centering**, with crane, 50 ton capacity



50 TON

For dismounting of all kinds of transmission parts such as bearings, couplings, gears, wheels etc.

- **Practical**
The puller is self-centering, easy to manoeuvre and adjustable in height. Easy to convert to 2- or 3-arm puller. The arms slide inwards or outwards simultaneously.
- **Fast**
The complete stroke is 159 mm. Two adapters (extensions) for a total length of 310 mm are included.
- **Strong**
The greater the pulling force, the tighter the jaws grip the object concerned! There is no possibility of the arms bending or deflecting.
- **Safe**
Integral safety release valve prevents overload and ensures you never exceed maximum power capacity.

Advantages

- Prevent damage to shaft and component
- Easily operated by one person.
- Efficient and saves time
- Can be used in any position
- Including 2 adapters
- Including remote control
- Including safety blanket

MOBILE HYDRAULIC PULLER

BETEX HXPC 2/3-arm puller, **self-centering**, with crane, 50 ton capacity

- Electro-hydraulic pump, 230V - 700 bar, operates the cylinder. This is a 2-stage pump with oil delivery 4.2 liters/minute at 7 bar pressure
- The design prevents the puller jaws from slipping or deflecting
- The crane has two swivel castors {self-locking} and two rigid castors
- The hydraulic cylinder is of spring-return type with a max. working pressure of 700 bar (50 tons).
- Two adapters (extensions) with a total length of 310 mm are included



Adapters



Valve block

| Type | HXPC 50 |
|---|---|
| Art.no. | 700016 |
| Capacity ton | 50 |
| Max. stroke length mm | 159 |
| Max. spread mm | 860 |
| Min. spread mm | 140 |
| Max. shaft length mm | 455 |
| Operation: - Main cylinder - Height adjustment | electro-hydraulic pump EP18S, 230V, 5A, 50 Hz, with remote control |
| Operating self-centering jaws | manual |
| Adapters 2 items total length: 310 mm | 1 x Ø 40: length 155, 1 x Ø 50: length 155 |
| Min. height from centre mm | 210 |
| Max. height from centre mm | 1550 |
| Gauge bar | 700 |
| Dimensions LxWxH mm | 1850 x 970 x 1550 |
| Weight kg | 280 |



Also available without crane, HXP503
See page 56

MOBILE HYDRAULIC PULLER

BETEX HXPM 50 - 2-arm puller, **self-centering**, 50 ton capacity



50 TON

For dismounting of all kinds of transmission parts such as bearings, couplings, gears, wheels etc.

- **Practical**
The puller is self-centering, easy to manoeuvre and adjustable in height. The arms slide inwards or outwards simultaneously.
- **Fast**
The complete stroke is 330 mm. Four adapters (extensions) with a total length of 620 mm are included.
- **Strong**
The greater the pulling force, the tighter the jaws grip the object concerned! The arms cannot bend or deflect.
- **Safe**
Integral safety release valve prevents overload and ensures you never exceed maximum power capacity.

Advantages

- Prevent damage to shaft and component
- Easily operated by one person.
- Efficient and saves time
- Including 4 adapters
- Including remote control
- Including safety blanket

MOBILE HYDRAULIC PULLER

BETEX HXPM 50 - 2-arm puller, **self-centering**, 50 ton capacity

- Double-acting cylinder for holding, opening and closing the arms for safe, secure grip on job
- Electro-hydraulic pump, 230V - 700 bar, operates the cylinder
This is a 2-stage pump with oil delivery 4.2 liters/minute at 7 bar pressure
- The design prevents the puller jaws from slipping or deflecting
- The cart has two swivel castors (self-locking) and two rigid castors
- The hydraulic cylinder is of spring-return type with a max. working pressure of 700 bar (50 tons)
- Four adapters (extensions) with a total length of 620 mm are included

Valve block



Adapters



| Type | HXPM 50 - 2 arm |
|---|--|
| Art. no. | 700019 |
| Capacity ton | 50 |
| Max. stroke length mm | 330 |
| Max. spread mm | 1250 |
| Min. spread mm | 200 |
| Max. shaft length mm | 780 |
| Operation: - Main cylinder - Height adjustment | electro-hydraulic pump EP18S, 230V - 5A, 50 Hz, with remote control |
| Operating self-centering jaws | hand pump, double acting |
| Adapters 4 items total length: 620 mm | 2 x Ø 40: length 155, 2 x Ø 50: length 155 |
| Min. height from centre mm | 310 |
| Max. height from centre mm | 1045 |
| Gauge bar | 700 |
| Dimensions LxWxH mm | 2700 x 655 x 900 |
| Weight kg | 315 |

MOBILE HYDRAULIC PULLER

BETEX HXPM 50 - 2/3-arm puller, **self-centering**, 50 ton capacity



For dismounting of all kinds of transmission parts such as bearings, couplings, gears, wheels etc.

- **Practical**
The puller is self-centering, easy to manoeuvre and adjustable in height. The arms slide inwards or outwards simultaneously.
- **Fast**
The complete stroke is 330 mm. Four adapters (extensions) with a total length of 620 mm are included.
- **Strong**
The greater the pulling force, the tighter the jaws grip the object concerned! The arms cannot bend or deflect.
- **Safe**
Integral safety release valve prevents overload and ensures you never exceed maximum power capacity.

Advantages

- Prevent damage to shaft and component
- Easily operated by one person.
- Efficient and saves time
- Including 4 adapters
- Including remote control
- Including safety blanket

MOBILE HYDRAULIC PULLER

BETEX HXPM 50 - 2/3-arm puller, **self-centering**, 50 ton capacity

- Double-acting cylinder for holding, opening and closing the jaws for safe, secure grip on job
- Electro-hydraulic pump, 230V - 700 bar, operates the cylinder.
This is a 2-stage pump with oil delivery 4.2 liters/minute at 7 bar pressure
- The design prevents the puller jaws from slipping or deflecting
- The puller is easy to convert into a 2- or 3-arm version
- The puller is adjustable 5° vertically
- The cart has two swivel castors (self-locking) and two rigid castors
- The hydraulic cylinder is of spring-return type with a max. working pressure of 700 bar (50 tons)
- Four adapters (extensions) are included with a total length of 620 mm



Valve block



Adapters

| Type | HXPM 50 - 2/3 arm SHORT | HXPM 50 - 2/3 arm LONG |
|---|--|------------------------|
| Art. no. | 700017 | 700014 |
| Capacity ton | 50 | 50 |
| Max. stroke length mm | 330 | 330 |
| Max. spread mm | 950 | 1250 |
| Min. spread mm | 200 | 200 |
| Max. shaft length mm | 500 | 780 |
| Operation: - Main cylinder - Height adjustment | electro-hydraulic pump EP18S, 230V - 5A, 50 Hz, with remote control | |
| Operating self-centering jaws | hand pump, double acting | |
| Adapters 4 items total length: 620 mm | 2 x Ø 40: length 155, 2 x Ø 50: length 155 | |
| Min. height from centre mm | 820 | 820 |
| Max. height from centre mm | 1370 | 1370 |
| Gauge bar | 700 | 700 |
| Dimensions LxWxH mm | 2245 x 800 x 1155 | 2545 x 800 x 1155 |
| Weight kg | 385 | 400 |



HXPM 50 - 2/3 arm SHORT



HXPM 50 - 2/3 arm LONG

MOBILE HYDRAULIC PULLER

BETEX HXPM 100 - 2-arm puller, **self-centering**, 100 ton capacity



For dismounting of all kinds of transmission parts such as bearings, couplings, gears, wheels etc.

- **Practical**
The puller is self-centering, easy to manoeuvre and adjustable in height. The arms slide inwards or outwards simultaneously.
- **Fast**
The complete stroke is 270 mm. Seven adapters (extensions) with a total length of 1125 mm are included.
- **Strong**
The greater the pulling force, the tighter the jaws grip the object concerned! The arms cannot bend or deflect.
- **Safe**
The safety release valve prevents overloading and ensures you never exceed maximum force.

Advantages

- Prevent damage to shaft and component
- Easily operated by one person.
- Efficient and saves time
- Including 7 adapters
- Including remote control

MOBILE HYDRAULIC PULLER

BETEX HXPM 100 - 2-arm puller, **self-centering**, 100 ton capacity

- Double-acting cylinder for holding, opening and closing the jaws for safe, secure grip on job
- Electro-hydraulic pump, 400V - 700 bar, operates the cylinder This is a 2-stage pump with oil delivery 9.5 liters/minute at 7 bar pressure
- The design prevents the puller jaws from slipping or deflecting
- The cart has two swivel castors (self-locking) and two rigid castors
- The hydraulic cylinder is of spring-return type with a max. working pressure of 700 bar (100 tons).
- Seven adapters (extensions) with a total length of 1125 mm are included
- Adjustable jaw tips for optimal grip

Adapters



Adjustable jaw tips for extra grip



Valve block

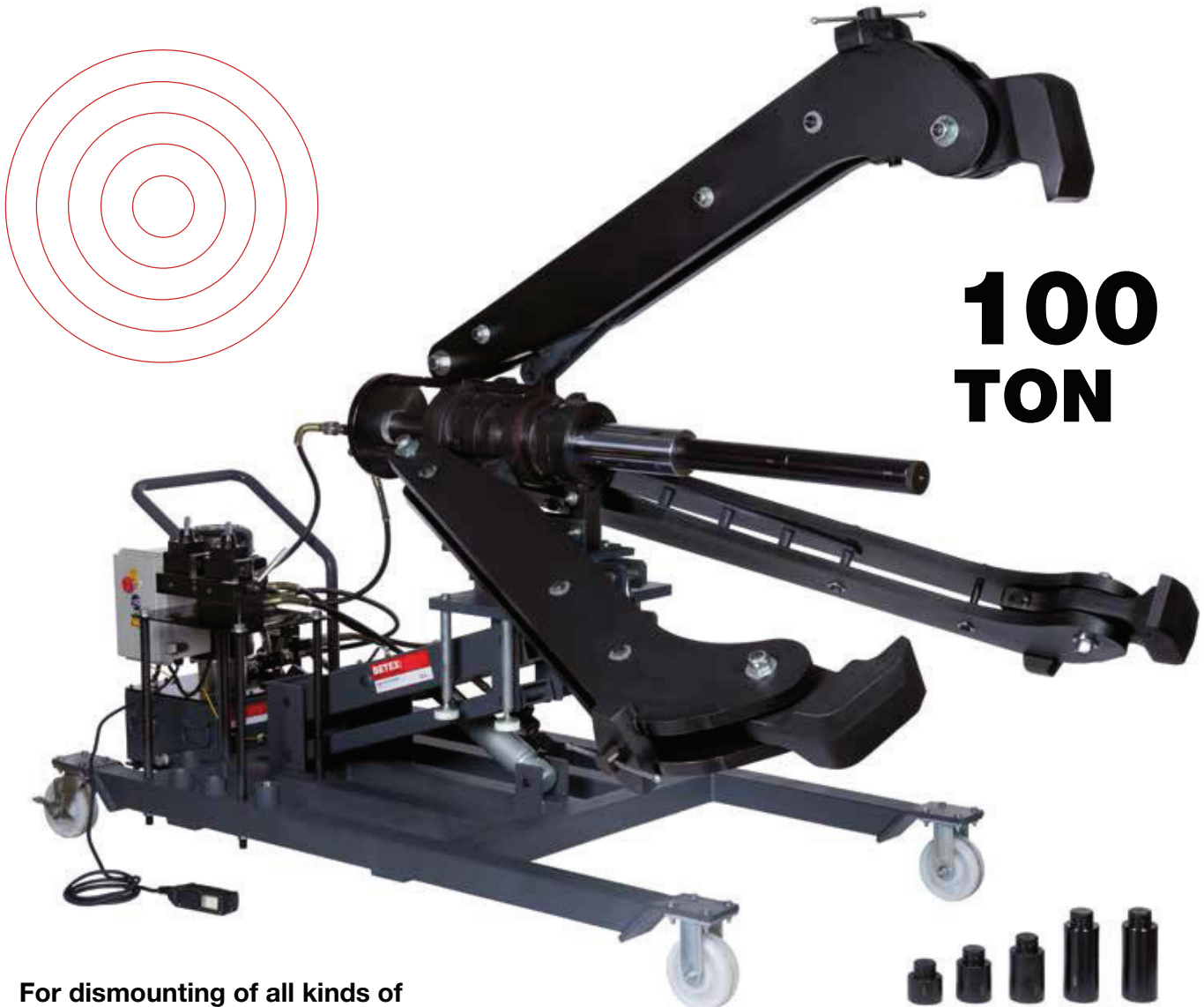


TIP: use in combination with UHAP2800 high pressure pump, see page 107.

| Type | HXPM 100 - 2-arm |
|--|---|
| Art. no. | 700021 |
| Capacity ton | 100 |
| Max. stroke length mm | 270 |
| Max. spread mm | 1500 |
| Min. spread mm | 200 |
| Max. shaft length mm | 1215 |
| Operation: - Main cylinder - Height adjustment - self-centering jaws | electro-hydraulic pump EP420D, 400V - 6A, 50 Hz, with remote control |
| Seven adapters mm | 2x Ø70 L=300 mm, 2x Ø70 L=150 mm |
| Total length: 1125 mm | 1x Ø70 L=100 mm, 1x Ø70 L=75 mm, 1x Ø70 L=50 mm |
| Min. height from centre mm | 320 |
| Max. height from centre mm | 790 |
| Gauge bar | 700 |
| Dimensions LxWxH mm | 2450 x 1350 x 1200 |
| Weight kg | 870 |

MOBILE HYDRAULIC PULLER

BETEX HXPM 100 - 2/3-arm puller, **self-centering**, 100 ton capacity



For dismounting of all kinds of transmission parts such as bearings, couplings, gears, wheels etc.

- **Practical**
The puller is self-centering, easy to manoeuvre and adjustable in height. The puller is easy to convert into a 2- or 3-arm version. The arms slide inwards or outwards simultaneously.
- **Fast**
The complete stroke is 270 mm. Seven adapters (extensions) with a total length of 1125 mm are included.
- **Strong**
The greater the pulling force, the tighter the jaws grip the object concerned! The arms cannot bend or deflect.
- **Safe**
Integral safety release valve prevents overload and ensures you never exceed maximum power capacity.

Advantages

- Prevent damage to shaft and component
- Easily operated by one person.
- Efficient and saves time
- Including 7 adapters
- Including remote control

MOBILE HYDRAULIC PULLER

BETEX HXPM 100 - 2/3-arm puller, **self-centering**, 100 ton capacity

- Double-acting cylinder for holding, opening and closing the jaws for safe, secure grip on job
- Electro-hydraulic pump, 400V - 700 bar, operates the cylinder. This is a 2-stage pump with oil delivery 9.5 liters/minute at 7 bar pressure
- Self-centering: the arms slide inwards or outwards simultaneously
- The design prevents the puller jaws from slipping or deflecting
- The puller is easy to convert into a 2- or 3-arm version
- The puller is adjustable 5° vertically
- The cart has two swivel castors (self-locking) and two rigid castors
- The hydraulic cylinder is 2-stage, spring-return type with a max. working pressure of 700 bar (100 tons)
- Seven adapters (extensions) are included with a total length of 1125 mm
- Adjustable jaw tips for optimal grip

TIP: use in combination with UHAP2800 high pressure pump, see page 107.



Valve block

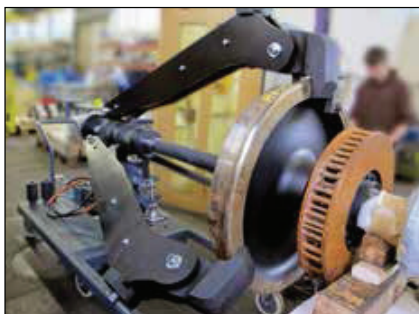


Pump detail



Adjustable jaw tips for more grip

| Type | HXPM 100 - 2/3-arm |
|--|--|
| Art. no. | 700015 |
| Capacity ton | 100 |
| Max. stroke mm | 270 |
| Max. spread mm | 1500 |
| Min. spread mm | 200 |
| Max. shaft length mm | 1215 |
| Operation: - Main cylinder - Height adjustment - self-centering jaws | electro-hydraulic pump EP420D, 400V - 6A, 50 Hz, with remote control |
| Seven adapters mm | 2x Ø70 L=300 mm, 2x Ø70 L=150 mm |
| Total length: 1125 mm | 1x Ø70 L=100 mm, 1x Ø70 L=75 mm, 1x Ø70 L=50 mm |
| Min. height from centre mm | 820 |
| Max. height from centre mm | 1320 |
| Gauge bar | 700 bar |
| Dimensions LxWxH mm | 2790 x 1030 x 1410 |
| Weight kg | 1120 |



MOBILE HYDRAULIC PULLER

BETEX HXPM 150 - 3-arm puller, **self-centering**, 150 ton capacity



For dismounting of all kinds of transmission parts such as bearings, couplings, gears, wheels etc.

- **Practical**
The puller is self-centering, easy to manoeuvre and adjustable in height. The arms slide inwards or outwards simultaneously.
- **Fast**
The complete stroke is 325 mm. Seven adapters (extensions) with a total length of 1125 mm are included.
- **Strong**
The greater the pulling force, the tighter the jaws grip the object concerned! The arms cannot bend or deflect.
- **Safe**
Integral safety release valve prevents overload and ensures you never exceed maximum power capacity.

Advantages

- Prevent damage to shaft and component
- Easily operated by one person.
- Efficient and saves time
- Including 7 adapters
- Including remote control

MOBILE HYDRAULIC PULLER

BETEX HXPM 150 - 3-arm puller, **self-centering**, 150 ton capacity

- Double-acting cylinder for holding, opening and closing the jaws for safe, secure grip on job
- Electro-hydraulic pump, 400V - 700 bar, operates the cylinder.
This is a 2-stage pump with oil delivery 9.5 liters/minute at 7 bar pressure
- The design prevents the puller jaws from slipping or deflecting
- The cart has two swivel castors (self-locking) and two rigid castors
- The hydraulic cylinder is of spring-return type with a max. working pressure of 700 bar (150 tons)
- Seven adapters (extensions) with a total length of 1125 mm are included
- Adjustable jaw tips for extra grip

TIP: use in combination with UHAP2800 high pressure pump, see page 107.



Valve block

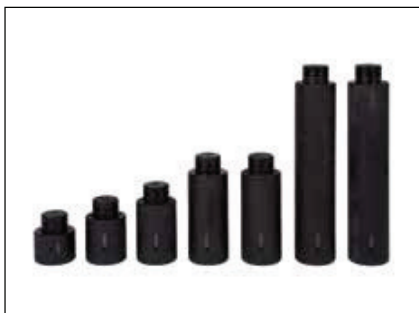


Pump block



Adjustable jaw tips for extra grip

| Type | HXPM 150 - 3-arm |
|--|--|
| Art. no. | 700025 |
| Capacity ton | 150 |
| Max. stroke length mm | 325 |
| Max. spread mm | 1600 |
| Min. spread mm | 250 |
| Max. shaft length mm | 1150 |
| Operation: - Main cylinder - Height adjustment - self-centering jaws | electro-hydraulic pump EP420D, 400V - 6A, 50 Hz, with remote control |
| Seven adapters mm | 2x Ø70 L=300 mm, 2x Ø70 L=150 mm |
| Total length: 1125 mm | 1x Ø70 L=100 mm, 1x Ø70 L=75 mm, 1x Ø70 L=50 mm |
| Min. height from centre mm | 830 |
| Max. height from centre mm | 1330 |
| Gauge bar | 700 |
| Dimensions LxWxH mm | 2990 x 1030 x 1390 |
| Weight kg | 1200 |



Adapters

MOBILE HYDRAULIC PULLER-INSTALLER

BETEX BPP BEARING PULLER PUSHER, MAX. 100 T CAP.



INSTALLATION AND REMOVAL OF RAILWAY AND METRO BEARINGS

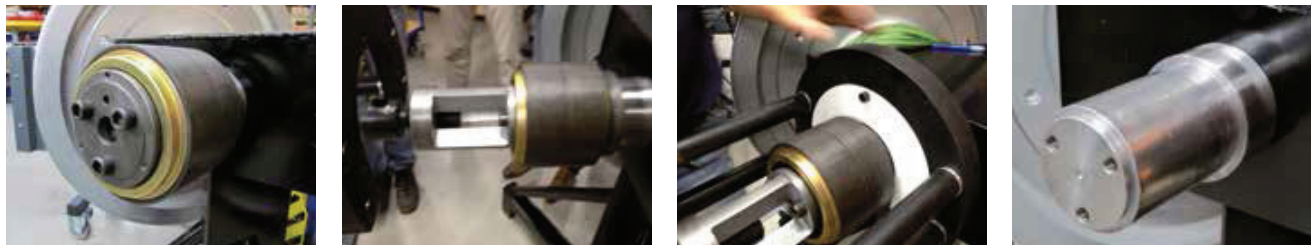
Specially for rail- and metro workshops. Use the right equipment to remove or install tapered roller bearings. This hydraulic aid will allow you to save valuable time and help you work safely and efficiently. Easy to use roll-around model for both **mounting** and **dismounting**.

| Type | BPP 100 |
|---|--|
| Art. no. | 700018: incl. manual valve / excl. accessories 700020: incl. solenoid valve / excl. accessories |
| Pulling capacity, dismantling tons | adjustable to 100 t max. |
| Pushing capacity, mounting tons | adjustable to 68 t max. |
| Max. stroke mm | 398 |
| Max. shaft diameter mm depending on accessories | 178 |
| Min. shaft diameter mm depending on accessories | 120 |
| Operating main cylinder & height adjustment | electro-hydraulic pump BETEX EP211D, 230V, 12A, 50Hz, with remote control |
| Min. height centre line towards floor mm | 380 |
| Max. height centre line towards floor mm | 1050 |
| Gauge bar | 700 |
| 4 castors | 2 rigid castors, 2 swivel castors |
| Dimensions LxWxH mm | 1300 x 520 x 905 |
| Weight kg | 560 |

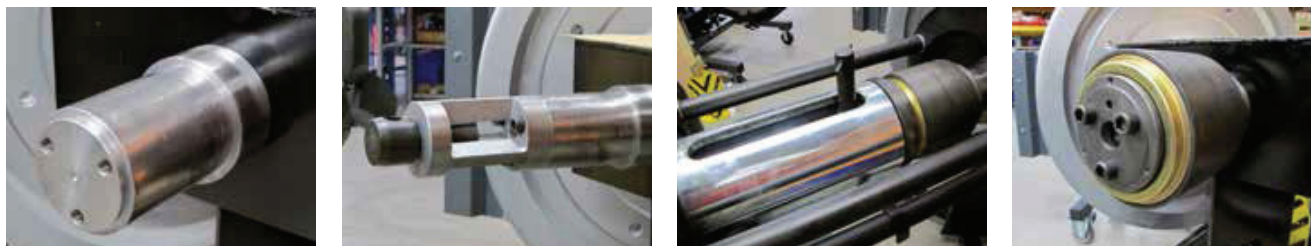
MOBILE HYDRAULIC PULLER-INSTALLER

BETEX BPP BEARING PULLER PUSHER, MAX. 100 T CAP.

Step by step **dismounting** of TBU / SP / TAROL bearing sets



Step by step **mounting** of TBU / SP / TAROL bearing sets



BETEX BPP BEARING PULLER PUSHER

- Mobile and easy to use by one person
- Pulling capacity (dismantling) adjustable to 100 t max.
- Pushing capacity (mounting) adjustable to 68 t max.
- Suitable for locomotives, passenger and freight cars
- For safe, simple and fast mounting and dismantling of e.g. TBU, SP and TAROL bearing sets
- Wide range of accessories available. The accessory sets are available in various sizes, metric and inch versions (housing-type locomotives and passenger cars)



ACCESSORY SET

To order the correct accessory set to service bearings (housing-type locomotives and passenger cars), please provide us with the following information:

- Bearing number and manufacturer number
- Drawing of bearing and shaft (ask for the questionnaire)
- Railroad name and location

Request our product questionnaire for sound advice and quotations.

VALVES

You can choose from 2 models which are equipped with a **manual valve** or a **solenoid valve**



Manual valve



Solenoid valve

For more information and videos visit our website www.begaspecialtools.com

MOBILE HYDRAULIC PULLER-INSTALLER

BETEX BPPS BEARING PULLER PUSHER, **SIDE-SHIFT**, MAX 100 T CAP.



INSTALLATION AND REMOVAL OF RAILWAY AND METRO BEARINGS

Specially for rail- and metro workshops. Use the right equipment to remove or install tapered roller bearings. This hydraulic aid will allow you to save valuable time and help you work safely and efficiently. Easy to use roll-around model for both **mounting** and **dismounting**.

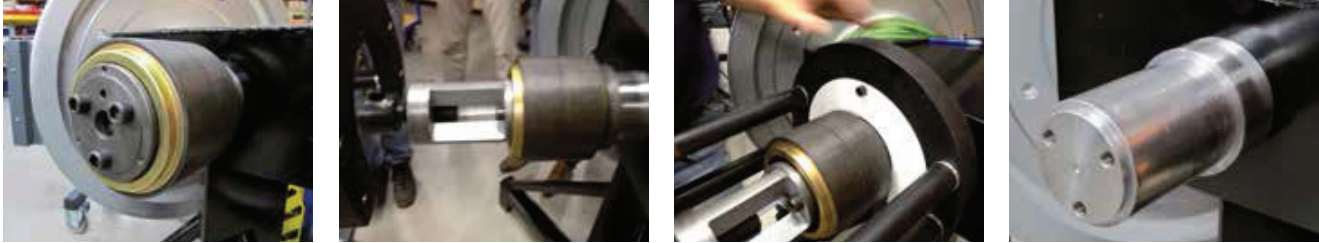
The BPPS Side-Shift model is compact and easy to roll around because of the four swivelling castors.

| Type | BPPS SIDE-SHIFT |
|---|--|
| Art. no. | 700023: incl. manual valve & side shift / excl. accessories 700024: incl. solenoid valve & side shift / excl. accessories |
| Pulling capacity, dismantling tons | adjustable to 100 t max. |
| Pushing capacity, mounting tons | adjustable to 68 t max. |
| Max. stroke mm | 255 |
| Max. shaft diameter mm depending on accessories | 178 |
| Min. shaft diameter mm depending on accessories | 90 |
| Operating main cylinder & height adjustment | electro-hydraulic pump BETEX EP211D, 230V, 12A, 50Hz, with remote control |
| Min. height centre line towards floor mm | 435 |
| Max. height centre line towards floor mm | 780 |
| Gauge bar | 700 |
| 4 castors | 4 swivel castors |
| Dimensions LxWxH mm | 1300 x 520 x 955 |
| Weight kg | 400 |

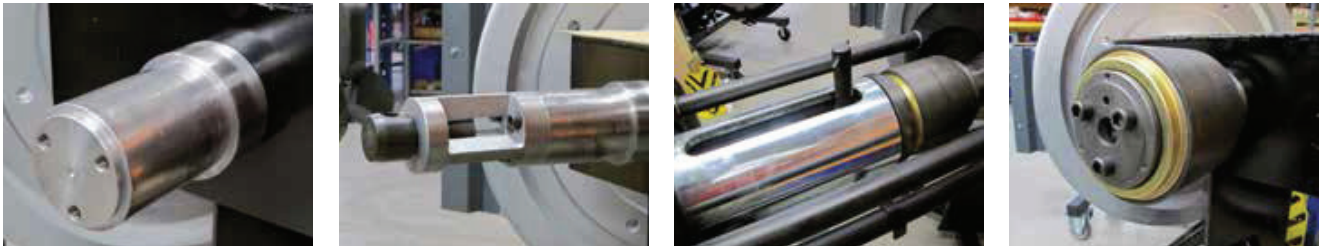
MOBILE HYDRAULIC PULLER-INSTALLER

BETEX BPPS BEARING PULLER PUSHER, **SIDE-SHIFT**, MAX 100 T CAP.

Step by step **dismounting** of TBU / SP / TAROL bearing sets



Step by step **mounting** of TBU / SP / TAROL bearing sets



BETEX BPPS BEARING PULLER PUSHER

- Mobile and easy to use by one person
- Pulling capacity (dismantling) adjustable to 100 t max.
- Pushing capacity (mounting) adjustable to 68 t max.
- Suitable for locomotives, passenger and freight cars
- For safe, simple and fast mounting and dismantling of e.g. TBU, SP and TAROL bearing sets
- Wide range of accessories available. The accessory sets are available in various sizes, metric and inch versions (housing-type locomotives and passenger cars)
- The side-shift model is an extra compact model and easy to roll around because of the 4 swivel castors



Accessory set

ACCESSORY SET

To order the correct accessory set to service bearings (housing-type locomotives and passenger cars), please provide us with the following information:

- Bearing number and manufacturer number
- Drawing of bearing and shaft (ask for the questionnaire)
- Railroad name and location

Request our product questionnaire for sound advice and quotations.

VALVES

You can choose from 2 models which are equipped with a **manual valve** or a **solenoid valve**



Manual valve



Solenoid valve

For more information and videos visit our website www.begaspecialtools.com